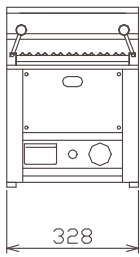


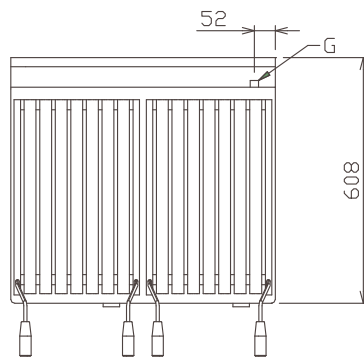
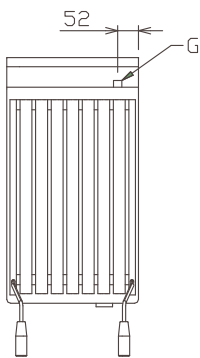
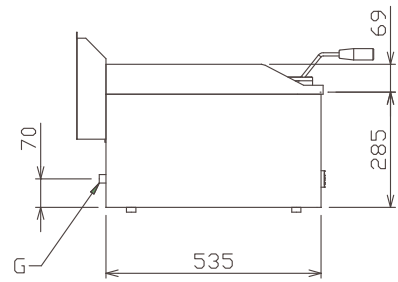
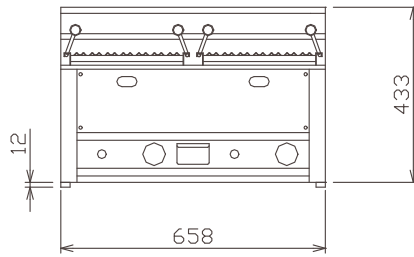


GL-30 GL, GL-60 GL

GL-30 GL



GL-60 GL



G- SUPPLY OF GAS G 1/2"