

Project _____
 Item # _____
 Quantity _____

Glo-Ray® Portable Foodwarmers

Models: GR-B, GRFF, GRFFL, GRFFB, GRFFBL

Hatco Glo-Ray Portable Foodwarmers keep food hot at kitchen work areas, waitress pickup stations or customer serving points. Available in models and sizes to meet every food warming need.

Standard features

- Available with heat above the food, below the food, or both
- GR-B has a preset automatic thermostat to maintain proper base temperatures
- GRFF has a stand to keep food holding pans off the work area and allows easy access from three sides
- GRFFL models include two shatter resistant incandescent lights
- GRFFB's base conducts heat from the bottom while infrared elements heat from above
- GRFFB has a clearance of 12", 14", or 16" (305, 356, or 406 mm) between heated base and upper housing
- Hatco can custom design portable foodwarmers to meet customer specifications or to fit an unusual situation
- Factory pre-wired with a 6' (1829 mm) cord and plug
- Metal sheathed heating elements guaranteed against burnout and breakage for two years



Options (available at time of purchase only)

- Designer Colors (One color per unit, heated base is not powdercoated)
 - Warm Red Black Gray Granite White Granite
 - Navy Blue Hunter Green Antique Copper
- Gloss Finishes (One color per unit, heated base is not powdercoated)
 - Gleaming Gold Glossy Gray Bold Black
 - Radiant Red Brilliant Blue
- 9"W x 5.5"H (229 x 140 mm) Display Sign Holder (Sign not included) (GRFFL model with back toggle only) adds 3" (76 mm) to height of unit
- Infinite Control (not available on GR-B or units with sign holder)
- Halogen Bulb

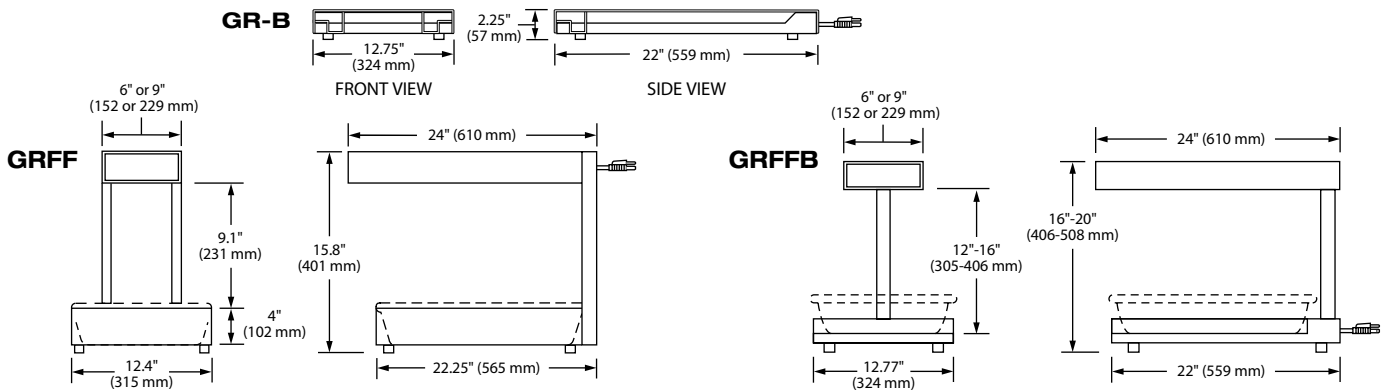
Accessories

- 5 Pleat Hardcoated French Fry Box Ribbon
- 8 Pleat Hardcoated French Fry Bag Ribbon
- Food Holding Pans
- Wire Trivets



Glo-Ray® Portable Foodwarmers

Models: GR-B, GRFF, GRFFL, GRFFB, GRFFBL



SPECIFICATIONS - Glo-Ray Portable Foodwarmers

The shaded areas contain electrical information for International models only

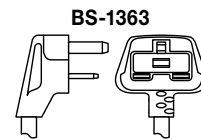
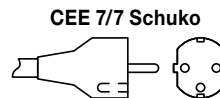
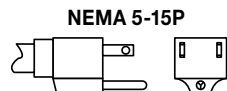
Model	Dimensions (Width x Depth x Height)	Volts	Phase	Watts	Amps	Plug	Ship Weight*	
GR-B	12.75" x 22" x 2.25" (324 x 559 x 57 mm)	120	Single	250	2.1	NEMA 5-15P	16 lbs. (7 kg)	
		220		250	1.1	CEE 7/7 Schuko		
		240		210-230	1.0	BS-1363		
		220-230 (CE)		230-250		CEE 7/7 Schuko		
		230-240 (CE)				BS-1363		
GRFF	12.4" x 24" x 15.8" (315 x 610 x 401 mm)	100	Single	500	5.0	NEMA 5-15P	16 lbs. (7 kg)	
		120			4.2	NEMA 5-15P		
		220			2.3	CEE 7/7 Schuko		
		240		2.1	BS-1363			
		220-230 (CE)		500-546	2.3-2.4	CEE 7/7 Schuko		
		230-240 (CE)		459-500	2.0-2.1	BS-1363		
GRFFL	12.4" x 24" x 15.8" (315 x 610 x 401 mm)	100	Single	584	5.8	NEMA 5-15P	18 lbs. (8 kg)	
		120			6.5	NEMA 5-15P		
		220			6.0	CEE 7/7 Schuko		
		240		6.20	5.6	BS-1363		
		220-230 (CE)		600-656	6.1-6.4	CEE 7/7 Schuko		
		230-240 (CE)		569-620	5.4-5.6	BS-1363		
GRFFB	12.75" x 24" x 16"-20" (324 x 610 x 406-508 mm)	100	Single	750	7.5	NEMA 5-15P	26 lbs. (12 kg)	
		120			6.3	NEMA 5-15P		
		220			7.10	3.2		CEE 7/7 Schuko
		240		7.50	3.1	BS-1363		
		220-230 (CE)		710-777	3.2-3.4	CEE 7/7 Schuko		
		230-240 (CE)		689-750	3.0-3.1	BS-1363		
GRFFBL	12.75" x 24" x 16"-20" (324 x 610 x 406-508 mm)	100	Single	833	8.3	NEMA 5-15P	31 lbs. (14 kg)	
		120			8.70	7.3		NEMA 5-15P
		220			8.10	3.7		CEE 7/7 Schuko
		240		8.70	3.6	BS-1363		
		220-230 (CE)		810-867	3.7-3.8	CEE 7/7 Schuko		
		230-240 (CE)		799-870	3.5-3.6	BS-1363		

*Shipping weight includes packaging.

CORD LOCATION

GR-B, GRFFB, GRFFBL: Back, lower middle.
GRFF, GRFFL: Back, upper middle.

PLUG CONFIGURATIONS



PRODUCT SPECS Portable Foodwarmer

The Portable Foodwarmer shall be a Glo-Ray®, manufactured by the Hatco Corporation, Milwaukee, WI 53234 U.S.A.

With 24/7 parts and service assistance (U.S. and Canada only), the Foodwarmer shall be a Glo-Ray Modwtts, ... volts, single phase and be ... inches (millimeters) in overall width.

The Glo-Ray shall consist of aluminum housing and include an infrared heating element that shall be tubular metal sheathed. Optional shatter resistant incandescent display lights and heated base. Accessories shall include food holding pans, trivets, and ribbons.

Comes with 24/7 parts and service assistance (U.S. and Canada only).