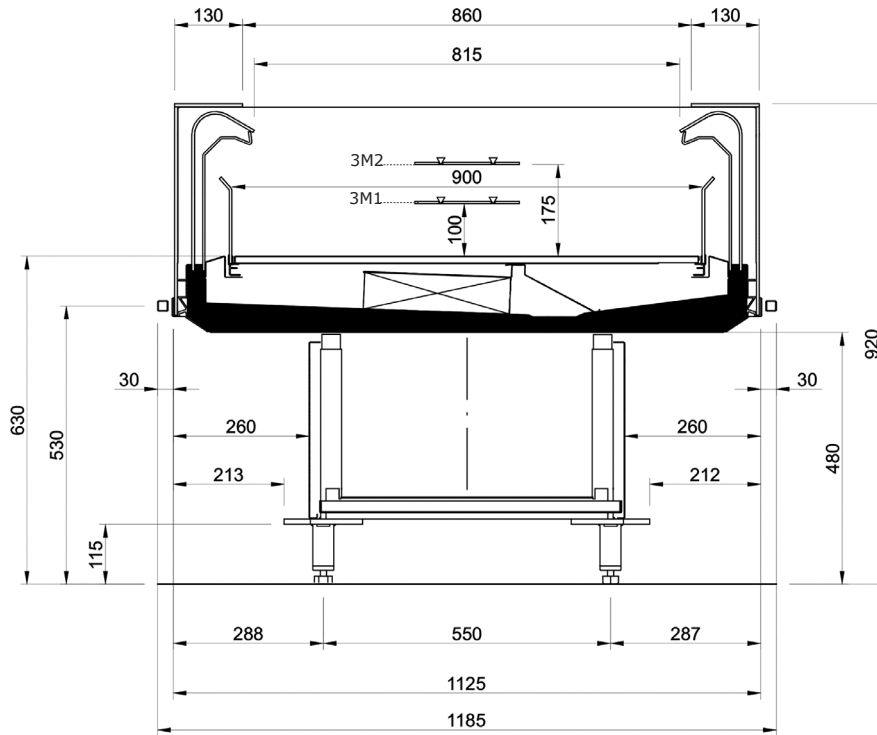


LATITUDE LS OPEN

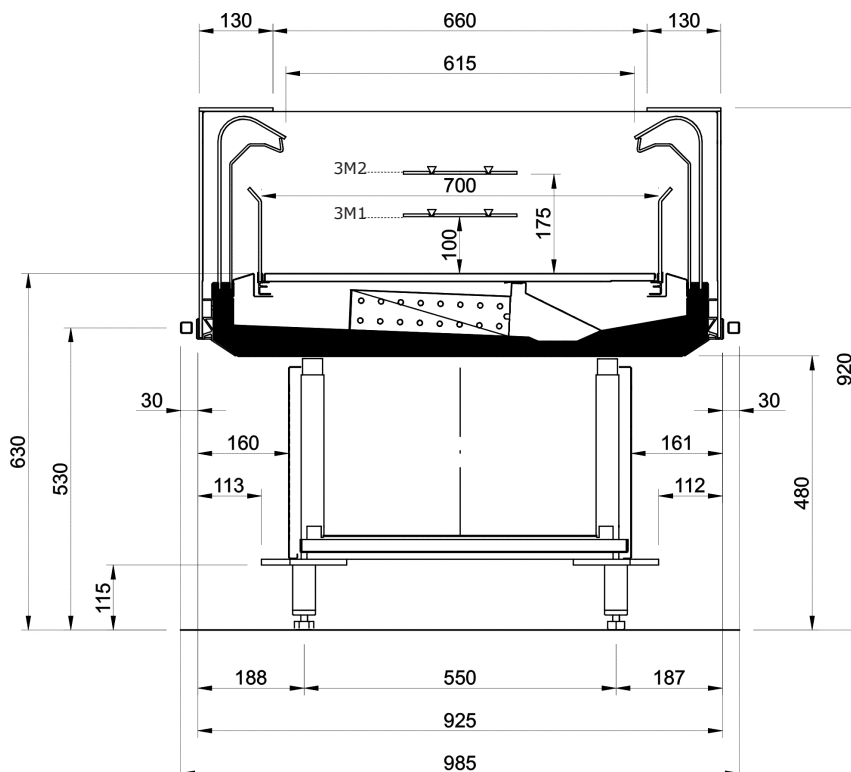
Module	90 Modular	125 Modular	125 Volum	Unit
Dimension and weights				
Lengths	950	1250	1250	mm
Total Display Area (TDA)	0,93/1,17	1,22/1,51	1,50/1,82	m ²
Weight	140	160	170	kg
Weight Packaged	160	185	195	
Volume	62/108	84/147	108/189	dm ³

Cross Section

VOLUM



MODULAR



TECHNICAL DATA SHEET

Refrigeration data						
Lengths			900 Narrow	1250 Narrow	1250 Large	
Climate Class 3	Propane	50Hz	105	105	105	g
	Controller	Electronic	5	5	5	W
	Compressor	50Hz	370	370	480	
	Energy consumption	3M1	5,5	6,3	9,0	kWh/ 24h
		3M2	6	6,9	9,4	
	Heat Flux to ambient	3M1	230	265	375	W
3M2		250	290	395		

Electrical Absorptions					
Lighting		-	-	-	
Fans	Compressor	13	13	13	W
	Evaporator	6	6	6	
Heaters	Water tray heater	250	250	250	
	Chest heater	10	10	10	