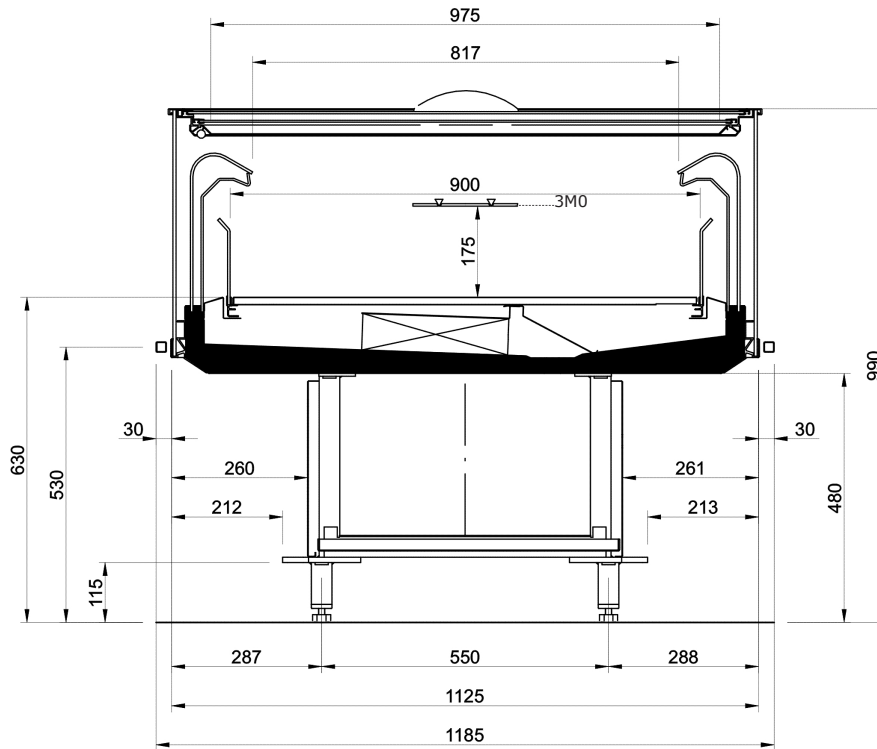


LATITUDE LS CLOSED

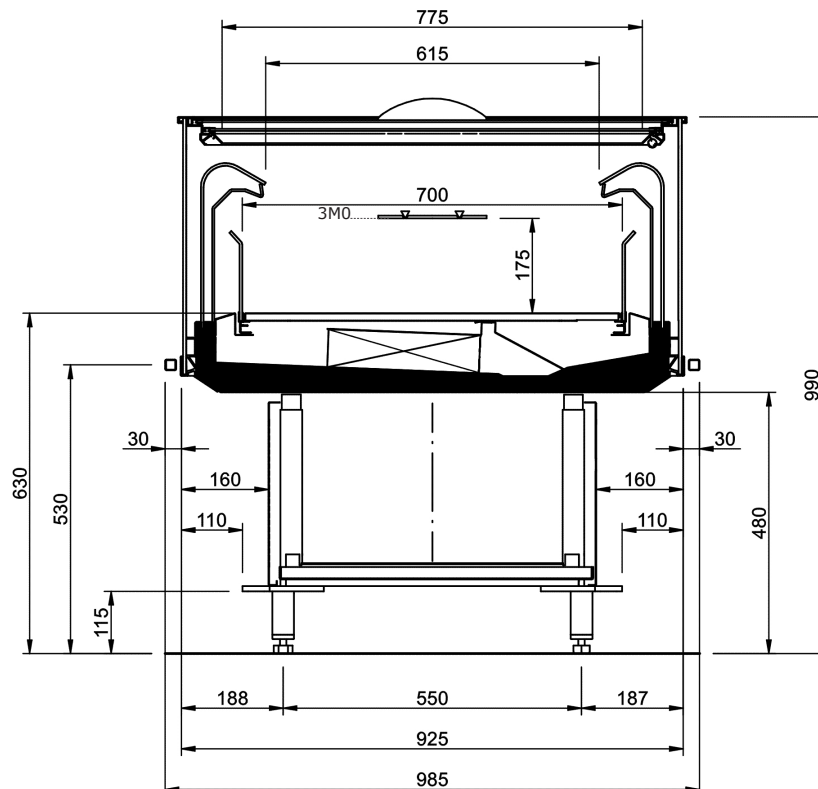
| Module | 125 Modular | 125 Volum | Unit |
|------------------------------|-------------|-----------|-----------------|
| Dimension and weights | | | |
| Lengths | 1250 | 1250 | mm |
| Total Display Area (TDA) | 1,38 | 1,67 | m ² |
| Weight | 180 | 190 | kg |
| Weight Packaged | 210 | 220 | |
| Volume | 147 | 189 | dm ³ |

Cross Section

VOLUM



MODULAR



TECHNICAL DATA SHEET

| Refrigeration data | | | | | |
|--------------------|----------------------|------------|--------------|------------|---------|
| Lengths | | | 1250 Modular | 1250 Volum | |
| Climate Class 3 | Propane | 50Hz | 105 | 105 | g |
| | Controller | Electronic | 5 | 5 | W |
| | Compressor | 50Hz | 370 | 370 | |
| | Energy consumption | 3M0 | 3,6 | 3,8 | kWh/24h |
| | Heat Flux to ambient | 3M0 | 150 | 160 | W |

| Electrical Absorptions | | | | | |
|------------------------|-------------------|--|-----|-----|---|
| Lighting | | | 14 | 20 | |
| Fans | Compressor | | 13 | 13 | W |
| | Evaporator | | 6 | 6 | |
| Heaters | Water tray heater | | 250 | 250 | |
| | Chest heater | | 10 | 10 | |