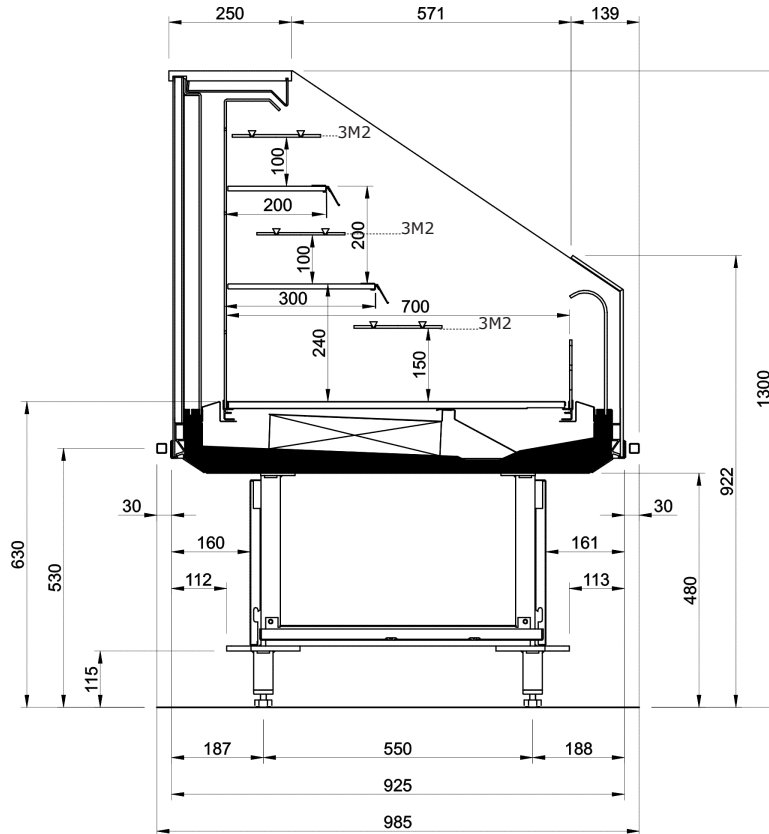


LATITUDE SV

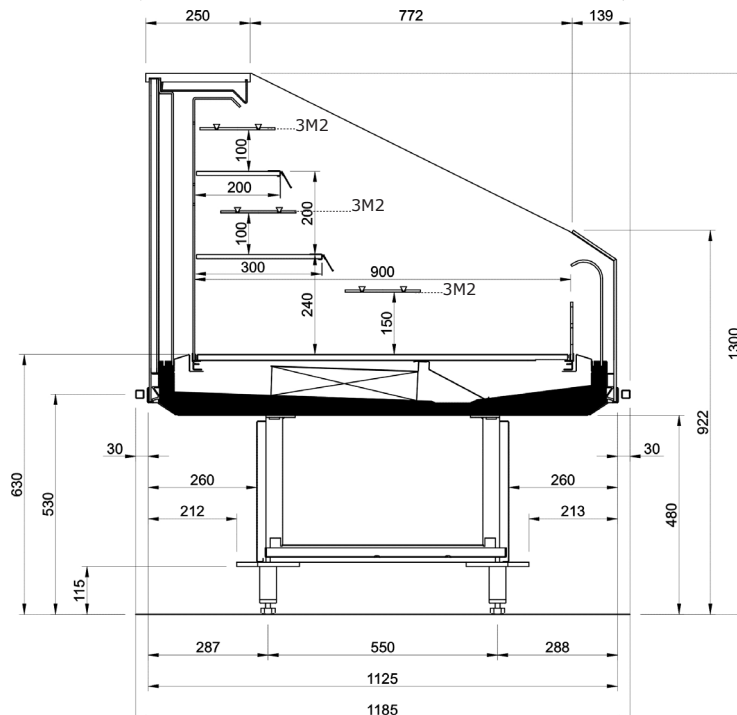
Module	125 Narrow	125 Large	Unit
Dimension and weights			
Lengths	1250	1250	mm
Total Display Area (TDA)	2,05	2,43	m ²
Weight	200	215	kg
Weight Packaged	230	250	
Volume	186	222	dm ³

Cross Section

NARROW



LARGE



TECHNICAL DATA SHEET

Refrigeration data					
Lengths			1250 Narrow	1250 Large	
Climate Class 3	Propane	50Hz	115	115	g
	Controller	Electronic	5	5	W
	Compressor	50Hz	850	950	
	Energy consumption	3M2	16,9	17,2	kWh/24h
	Heat Flux to ambient	3M2	705	720	W

Electrical Absorptions					
Fans	Compressor		13	13	W
	Evaporator		22,5	22,5	
Heaters	Water tray heater		250	250	
	Chest heater		10	10	