

Your professional partner

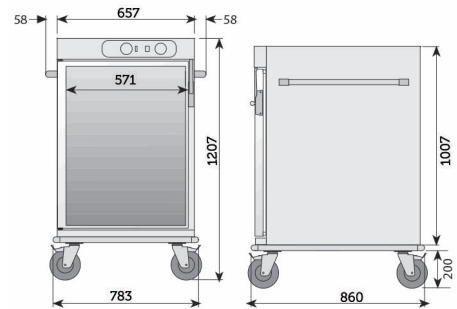
HOLDING TEMPERATURE TROLLEYS

- Automatic locking mechanism in hinges: when door is in a position of less than a 100° angle it gets fully closed, thus avoiding loss of temperature and achieving energy savings.
- Four (4) sound-proof castors of 160 mm diameter, two of them with brakes for an easy handling and safer use.
- Non-marking, special rubber bumpers to protect against direct impacts along the whole trolley base.
- Key locked door.
- Made of stainless steel.
- Rod shelves and Gastronorm pans are not included. To be ordered separately.

Ref: CCE10



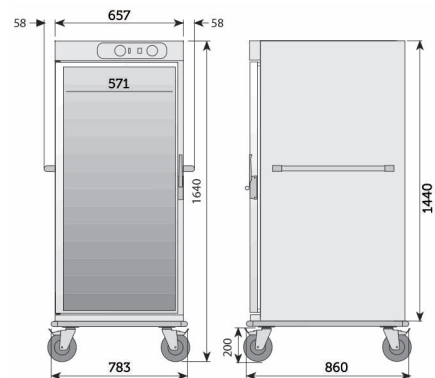
- mm (BxDxH): 783 x 860 x 1207
- Doors: 1
- GN 2/1 rack capacity: 10
- Voltage (V): 230/1N 50-60Hz
- Power (W): 2000



Ref: CCE20



- mm (BxDxH): 783 x 860 x 1640
- Doors: 1
- GN 2/1 rack capacity: 20
- Voltage (V): 230/1N 50-60Hz
- Power (W): 2000



Ref: CCE40



- mm (BxDxH): 1473 x 860 x 1640
- Doors: 2
- GN 2/1 rack capacity: 40
- Voltage (V): 230/1N 50-60Hz
- Power (W): 3600

