

175 covers

- Made of cast iron
- cold® refrigeration system
- 7 guides
- High temperature resistant glass door
- Front ash drawer
- Built-in firebreak inside the oven
- Analog temperature display
- Exhaust switch to control air flow
- Built-in grease collector
- Standard supply:
 - 1 Meat tongs
 - 1 Poker
 - 1 Inox rod grill
 - Front inox table 40 cm

CBQ-120/RX

MODELS

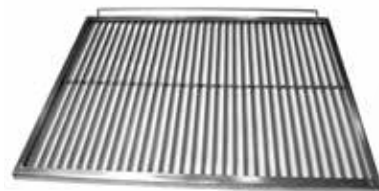
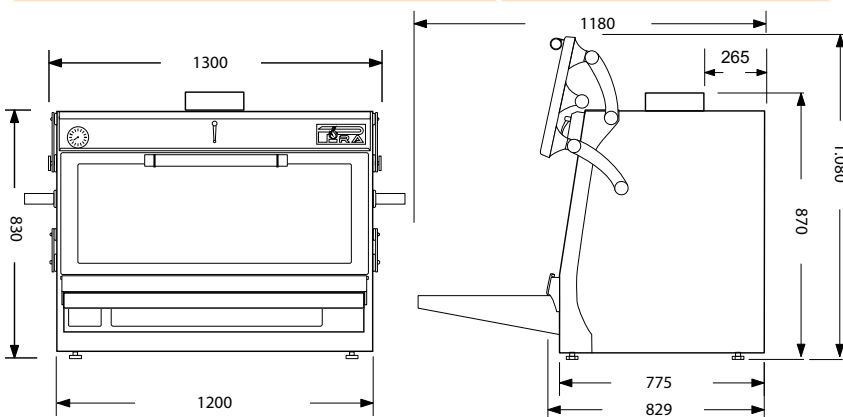
REF.	MODEL
120104	CBQ-120/RX

TECHNICAL INFORMATION

Average production	150 Kg/h
Maximum charcoal capacity	6 Kg
Maximum charcoal consumption	6 Kg. per service
Fire up time	30 min.
Cooking temperature	de 180° C a 350° C
Capacity in GN trays	1 x GN 2/1 + 1 x GN 1/1
Smoke outlet Ø	210 mm
Net weight	306 Kg.
Power equivalence	8 KW

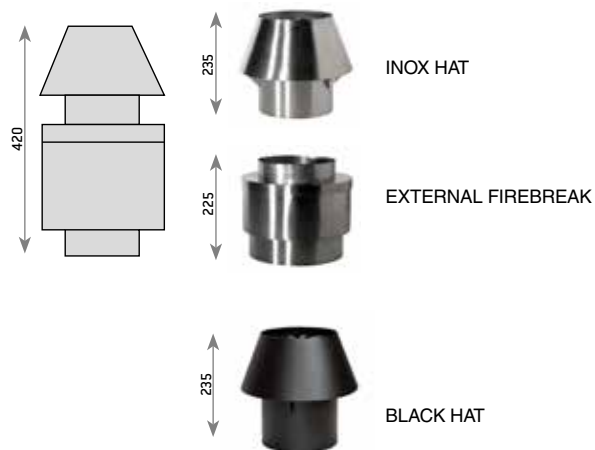
INCLUDED ACCESSORIES

REF.	DESCRIPTION
950005	Meat tongs 330 mm
950008	Poker
900120	Rod grill
904012	Front inox table 40 cm



ACCESSORIES

REF.	DESCRIPTION
750007	External firebreak
750008	Inox hat
770220	Coal bunker table
901120	Grooved grill
750009	Black hat 120
920120	Warming tray for dishes
960122	Half griddle plate
970120	Split 4 guides
970122	Split 7 guides
900122	Half rod grill
901122	Half groved grill
965120	Skewers support (15 u.)
965122	1/2 skewers support (6 u.)
955090	Skewer
902512	Front inox table 29cm



CBQ-120/RX



WARMING TRAY



GROOVED GRILL 990 X 585



SKEWERS SUPPORT



SPLIT



HALF GRIDDLE PLATE 458 X 590



HALF GROOVED GRILL 585 X 460



HALF ROD GRILL 535 X 625



COAL BUNKER TABLE PIRA 120 LUX

RECOMMENDED EXTRACTION HOODS Inverter and intermediate air chamber

REF.	DESCRIPTION
711514	Inox hood 1500 x 1400
790013	Fan motor 18/9 3 HP
790020	Fire fighting system

FILTRATION SMOKES / ODORS

REF.	DESCRIPTION
700012	FUO 8000P
700022	ODORLESS 8000P
700032	HIDROPIRA 8000