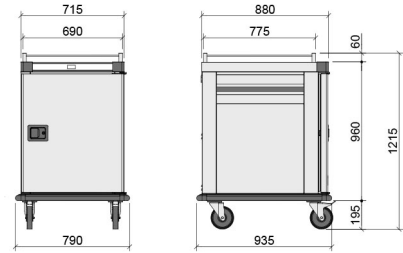


## Ref: CTH10-EK



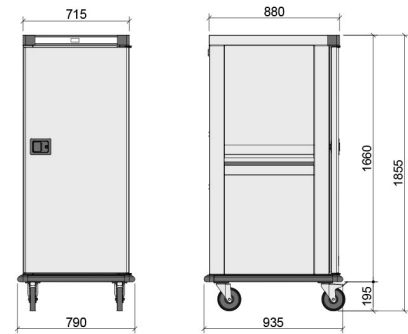
- mm (BxDxH): 790 x 935 x 1215
- Doors: 1
- GN 2/1 rack rails supplied: 10
- Voltage (V): 230/1/50-60Hz
- Power (W): 2000



## Ref: CTH20-EK



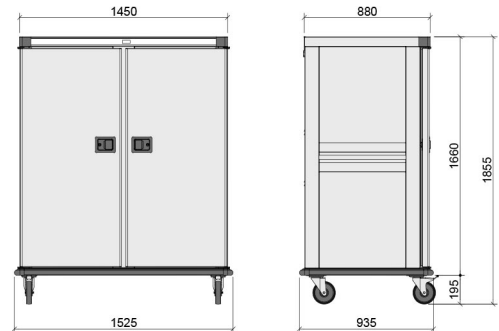
- mm (BxDxH): 790 x 935 x 1855
- Doors: 1
- GN 2/1 rack rails supplied: 20
- Voltage (V): 230/1/50-60Hz
- Power (W): 2000



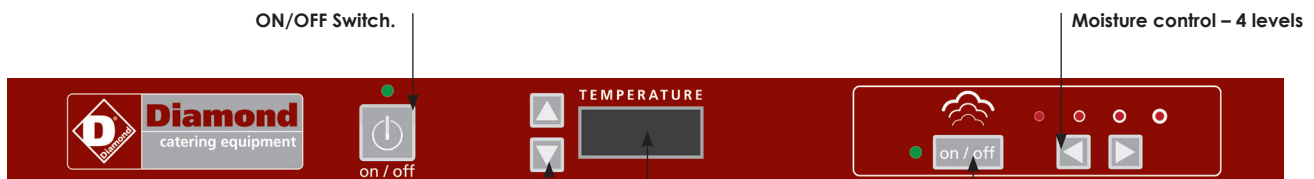
## Ref: CTH40-EK



- mm (BxDxH): 1525 x 935 x 1885
- Doors: 2
- GN 2/1 rack rails supplied: 40
- Voltage (V): 230/1/50-60Hz
- Power (W): 3500



## DIGITAL CONTROL PANEL



Temperature Control. Reading could be presented in Centigrade or Fahrenheit degrees.

Digital display showing temperature inside the trolley.

ON/OFF Moisture Control System Switch.